


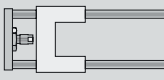

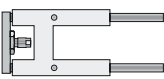


**Overview**

System	Fig.	Symbol	Series
Non-rotating Double acting without cushioning For contactless position sensing			FZG6... FZK6...
Linear guide, U-Form for cylinders to ISO15552, ISO6432 Ø8-100 mm			FEUG..
Linear guide, H-Form for cylinders to ISO15552 Ø32-100 mm			FEHG... FEHK...

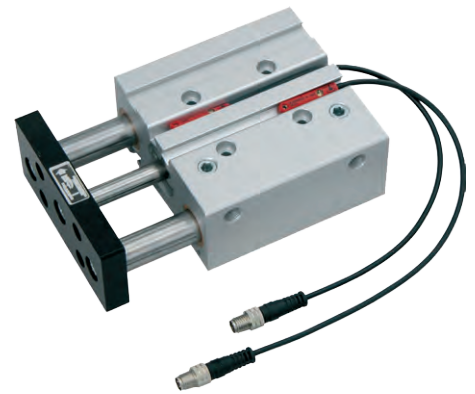
# FZ - Guided Cylinders

Series  
*FZG6...* plain bearings  
*FZK6...* ball bearings  
 Ø 20-50 mm

# Linear Guides

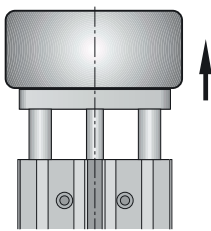
Series  
*FEUG...* plain bearings  
*FEHG...* plain bearings  
*FEHK...* ball bearings  
 Ø 8 – 100 mm

Profile sections Ø 20 , 32 , 50 mm

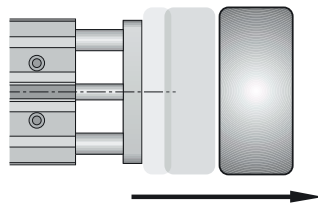


## Application Examples

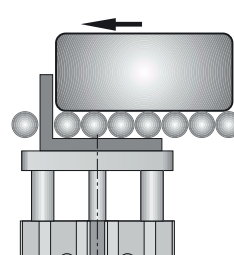
Lifting



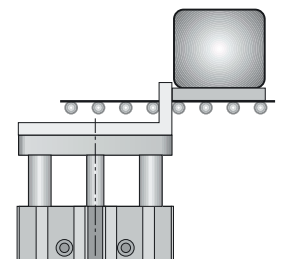
Pushing



Stopping

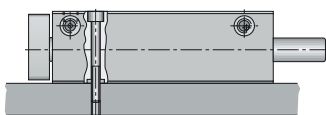


Stopping with Stop Bracket

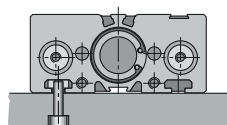


## Mounting Possibilities

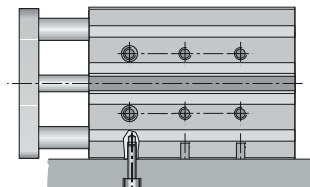
Flat mounting from above



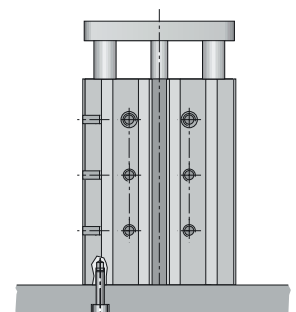
T-slot mounting



Side mounting



End face mounting



Flat mounting from below

